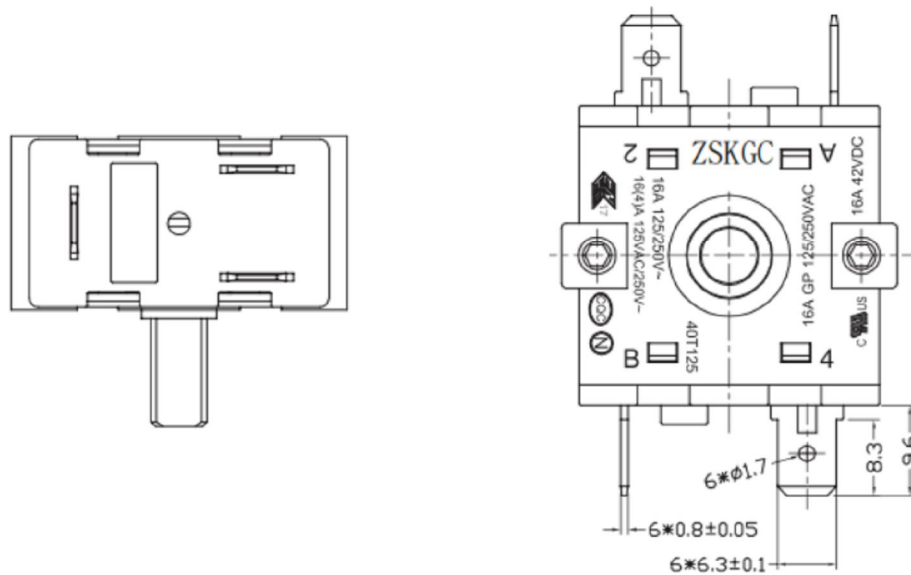


Material (材質)

- (端子座) TERMINAL BASE: PA 66(UL 94V-0)
- (柄) ACTUATOR: PA66(UL 94V-0)
- (彈簧) SPRING: STAINLESS STEEL WIRE
- (接觸片) CONTACT: SILVER PLATED COPPER ALLOY
- (端子) TERMINAL: SILVER PLATED COPPER ALLOY
- (接點) CONTACT: Ag ALLOY



SPECIFICATION 規格:



Rating 額定:

- 16A/26A 125/250VAC 40T125(UL;CUL)
- 16A 42VDC 40T125(UL;CUL;CQC;EMEC17;NEMKO)
- 16A/20A 125/250VAC 40T125(CQC;EMEC17;NEMKO)

Electrical (電氣性能)

- (接觸電阻) CONTACT RESISTANCE: 50mΩ Max
- (絕緣電阻) INSULATION RESISTANCE: 100MΩ Min ,AT 500VDC
- (耐電壓) DIELECTRIC STRENGTH: 1500VAC 1 MINUTE
- (電氣壽命) ELECTRICAL LIFE: 10,000 CYCLES

東莞市高迪電子有限公司
DONG GUAN GAO DI ELECTRONICS CO., LTD

TOLERANCE UNLESS OTHERWISE STATED:
Up to 5 ±0.2
Above 5 ~ 15 ±0.3
Above 15 ~ 30 ±0.4
Above 30 ~ 50 ±0.5
Angle ±0.3°

3RD. ANGEL'S



UNITS MM

DRAWN BY: Ming Ming Zou
DATE: 10/31/13
CHECKED BY: Ning Ning Su
DATE: 10/31/13
APPROVED BY: Jia Xiang
DATE: 10/31/13

MAT'L		TITLE	SWITCH
FINISH		MODLE	MICRO SWITCH
SCALE	1 : 1	DWG. NO.	GD-FR04-310B3Q16L
SHEET NO.	1 of 1	PART NO.	

ITEM NO.	DESCRIPTION	DRAWN	DATE

7

7

SIZE A4
VER R